

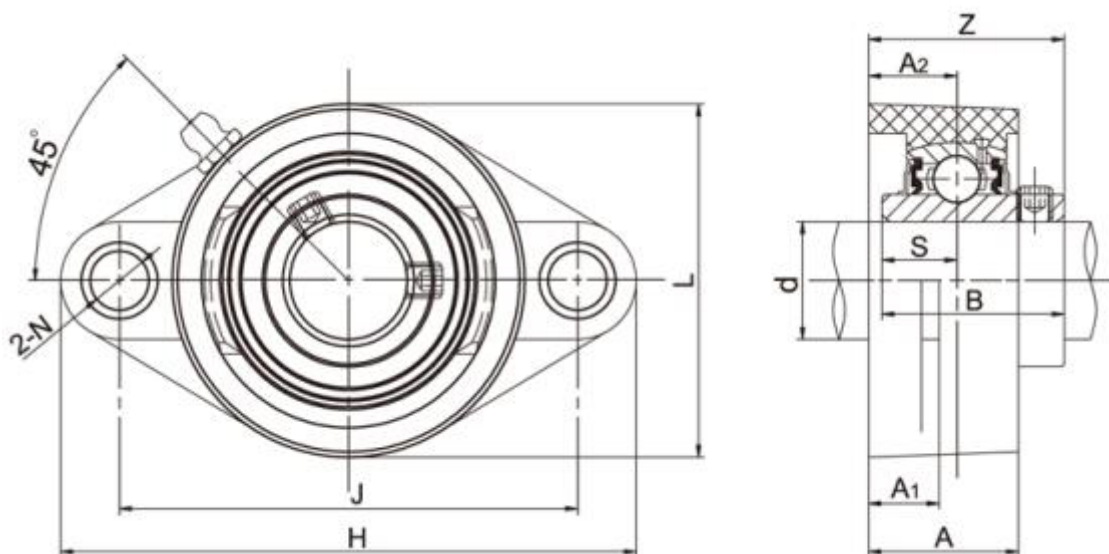
Data Sheet



Article number: 54810642073

Description: 2 hole Flange Unit TP-SUCFL207 for shaft $\varnothing 35\text{mm}$
Insert stainless steel, housing Thermoplastic green

Measures



A = 32	L = 92
A1 = 16	N = 13
A2 = 18	S = 17.5
B = 41.9	Z = 43.4
Bolt = M12	
d = 35	
H = 166	
J = 130	